

# 2U 19" SINGLE-SIDED VENTED SHELF



**SKU: 047-WVS-2400**

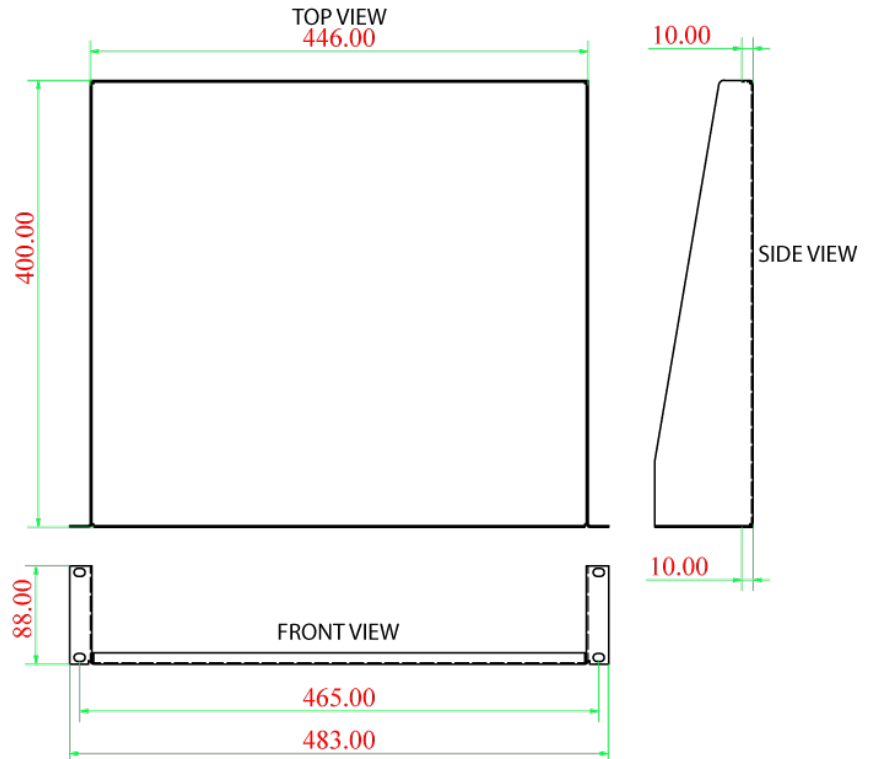
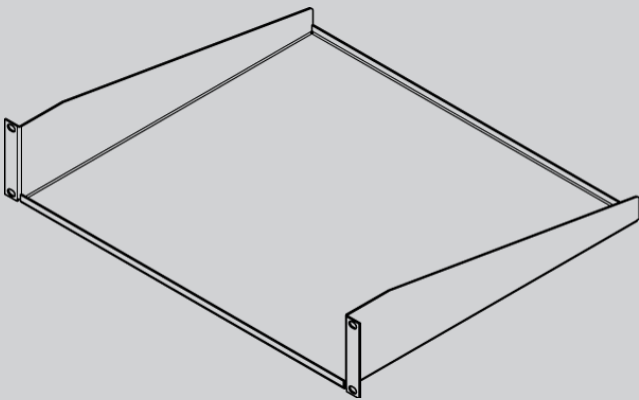
Steel Thickness (mm)	1.5
Height (in)	3.50
Width (in)	19
Depth(in)	15.75
Weight (lb)	5
Color	Black
Capacity(lb)	50

## DESCRIPTION

2U 19" Single-Sided, Vented Shelf Black

## FEATURES

- Fits most standard 19" Racks and Wall Mounts
- Made from 1.5mm EG Steel
- Comes with 4 sets of M6 Washers/Screws/ Cage Nuts
- Loading Capacity 50lbs
- Suitable for network electronics/components



**VERTICAL CABLE**

951.696.7772 California

800.749.2447 Florida

845.391.8318 New York

[www.verticalcable.com](http://www.verticalcable.com)

Rev. 06/2016

Specs subject to change without notice.

It is the sole responsibility of the user to have the most current specs.