

METAL DISTRIBUTION D RING (2" INCH)



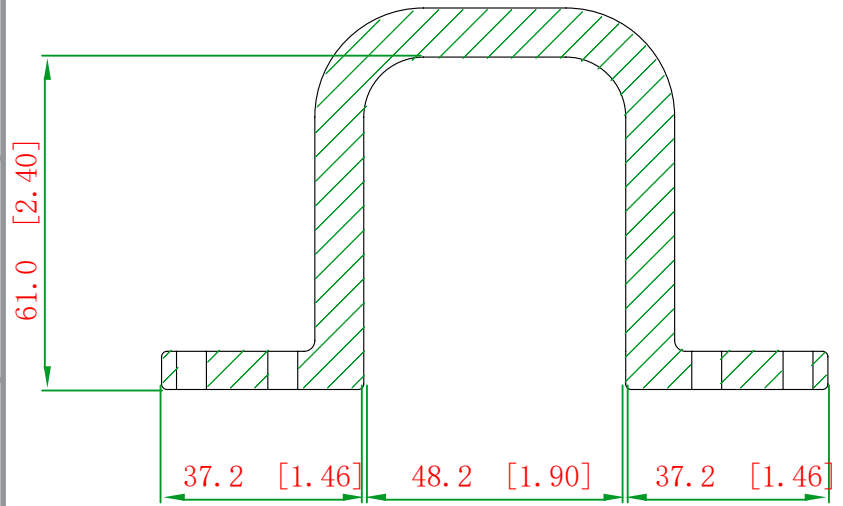
SKU: 048-200/0200

DESCRIPTION

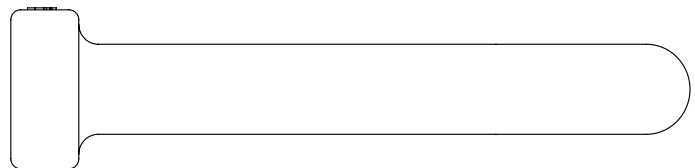
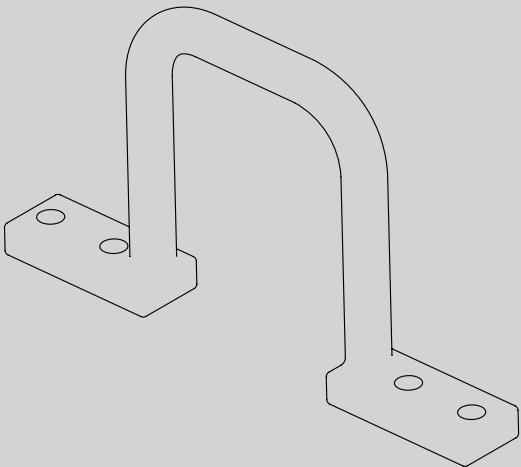
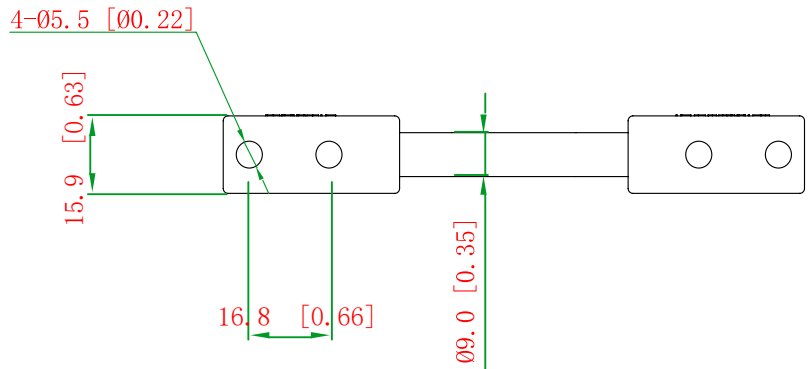
2" Inch Metal Distribution D Ring

FEATURES

- Aluminum
- Holds up to 75 CAT5E
- Inside Diameter 2"
- 0.13lb Weight
- 50 Per Box



CUTAWAY VIEW



VERTICAL CABLE

951.696.7772 California
800.749.2447 Florida
845.391.8318 New York

www.verticalcable.com

Rev. 06/2017

Specs subject to change without notice.

It is the sole responsibility of the user to have the most current specs.