

# METAL DISTRIBUTION D RING (5" INCH)



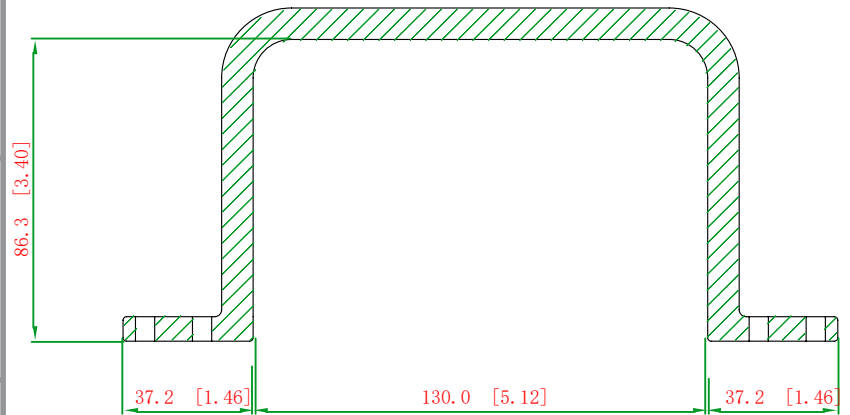
**SKU: 048-203/0500**

## DESCRIPTION

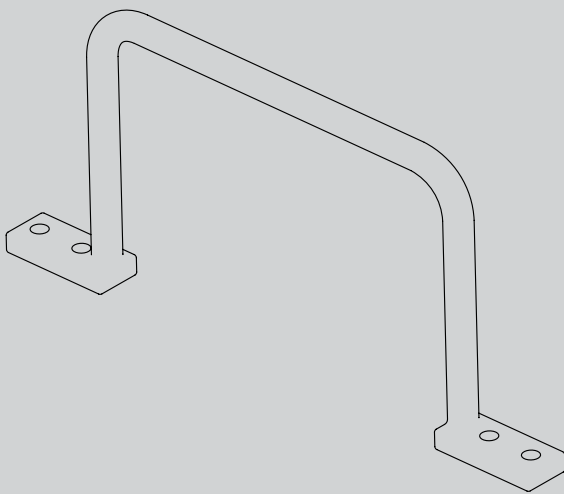
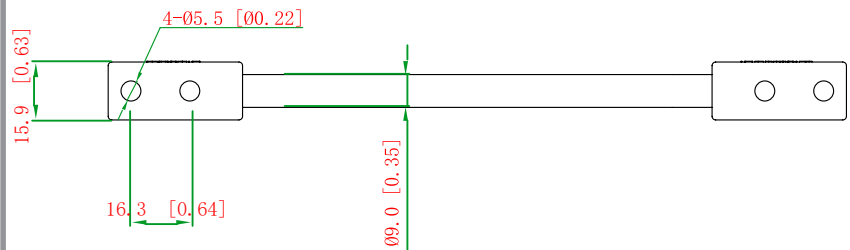
5" Inch Metal Distribution D Ring

## FEATURES

- Aluminum
- Holds up to 250 CAT5E
- Inside Diameter 5"
- 0.17lb Weight
- 25 Per Box



CUTAWAY VIEW



**VERTICAL CABLE**

951.696.7772 California  
800.749.2447 Florida  
845.391.8318 New York

[www.verticalcable.com](http://www.verticalcable.com)

Rev. 06/2017

Specs subject to change without notice.

It is the sole responsibility of the user to have the most current specs.