

# METAL DISTRIBUTION D RING (8" INCH)



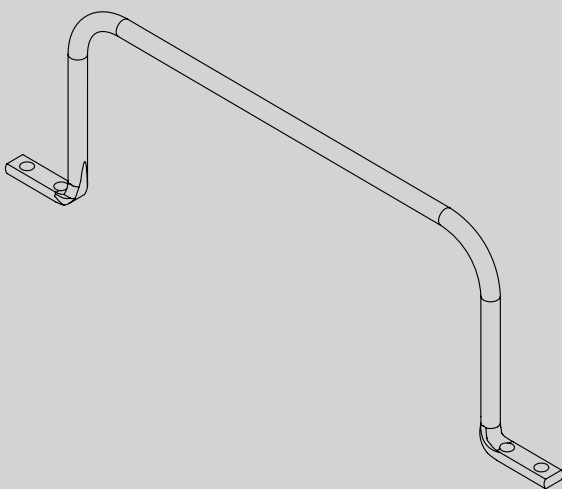
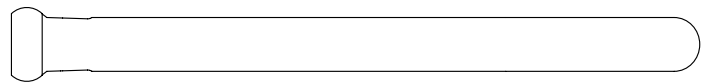
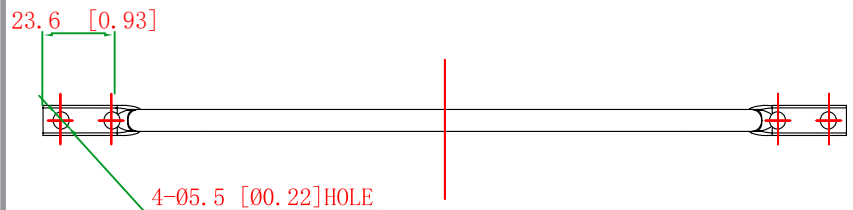
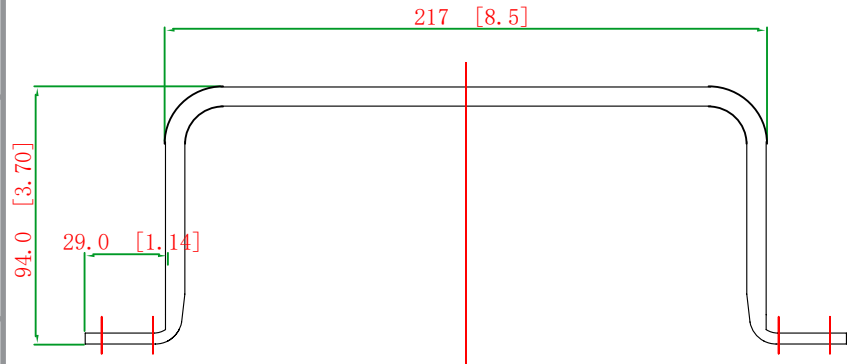
**SKU: 048-204/0800**

## DESCRIPTION

8" Inch Metal Distribution D Ring

## FEATURES

- Aluminum
- Holds up to 425 CAT5E
- Inside Diameter 8"
- 0.28lb Weight
- 25 Per Box



**VERTICAL CABLE**

951.696.7772 California  
800.749.2447 Florida  
845.391.8318 New York

[www.verticalcable.com](http://www.verticalcable.com)

Rev. 06/2017

Specs subject to change without notice.

It is the sole responsibility of the user to have the most current specs.