

SURFACE MOUNT BOX 1 PORT WITH CAT6A JACK



DESCRIPTION

1 Port Surface Mount Box with a Cat6A built in jack.

FEATURES

- High-impact ABS construction
- Screws, ties and adhesive tape included
- 110 & Krone type compatible
- UL 94 V-0 Fire Retardant
- Gloss finish
- UL listed

Available in White

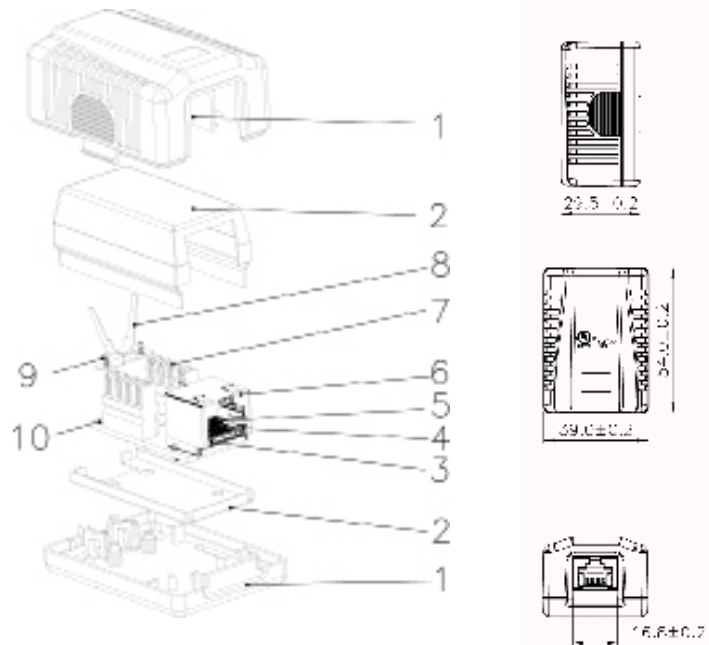
SKU: 038-C6A/1P/WH

Material:

1. Case : ABS, UL 94V-10
2. Metal Cover: SECC, 0.6mm thickness
3. RJ45 Jack Housing: PBT+Glass Fiber, UL 94V-0 (Black)
4. Contact Bracket: PBT+Glass Fiber, UL 94V-0 (Black)
5. RJ45 Jack Contact
Material: Phospor Bronze with Nickel plated
Finish: 50 micro-inch Gold plated on plug contact area
6. RJ45 Jack Shield: Bronze with Nickel plated
7. IDC
IDC Housing: PC+Glass Fiber, UL 94V-2
IDC Terminal: Phospor Bronze with Tin plating.
8. "U" Clip: Bronze with Nickel plated, 0.5mm thickness
9. Screw: M2.0x6.0xø3.3mm
10. PCB: FR4, UL 94V-0

Performance

T568A & T568B wiring printing on IDC.
Insertion force: 30N max (IEC 60603-7-4)
Retention Strenght : 7.7 kg between Jack and Plug
Operating temperature: -10°C to 60°C
(ISO/IEC 11801, ANSI/TIA/EIA 568C.2)



VERTICAL CABLE

954 454-3554 Florida Office

951 696-7772 California Office

www.verticalcable.com

Rev. 01/2013

Subject to change without notice.

