

# DVR SECURITY LOCKBOX (15 INCH)



**SKU: 047-DVR-1515**

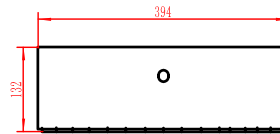
Height	Width	Depth	Color	Weight
5"	15"	15"	Black	14 LB

## DESCRIPTION

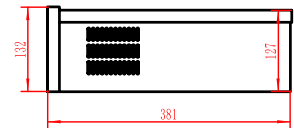
DVR Security Lockbox - 15 Inch

## FEATURES

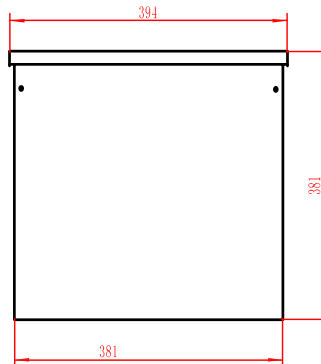
- An all-in-one solution for securely storing and cooling your security digital video recorder (DVR) to protect it from damage, tampering or theft.
- Ideal for network closets, retail outlets, warehouses, offices, classrooms and other locations where you need a DVR to be securely protected.
- Constructed from heavy-duty steel in a durable black powder-coat finish.



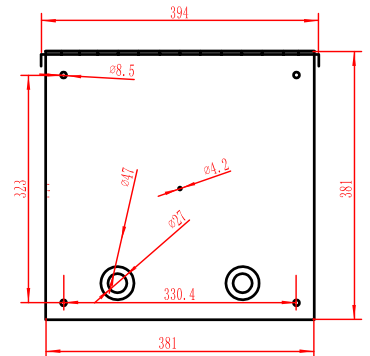
FRONT DOOR



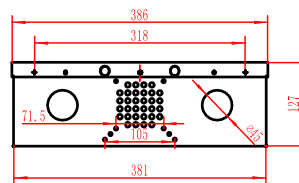
SIDE



TOP



BOTTOM



REAR SIDE

**VERTICAL CABLE**

951.696.7772 California

800.749.2447 Florida

845.391.8318 New York

[www.verticalcable.com](http://www.verticalcable.com)

Rev. 03/2017

Subject to change without notice