

4U HINGED WALL MOUNT BRACKET



SKU: 046-390

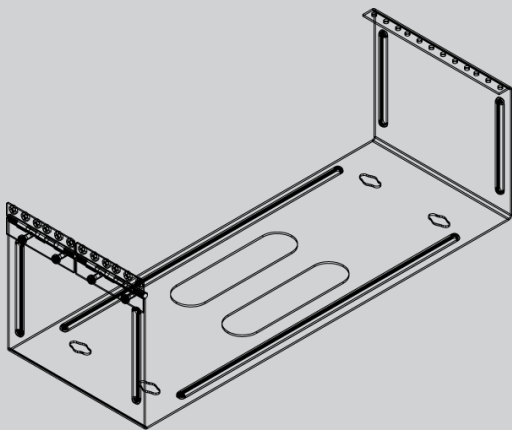
| | | |
|--------------------------------|-------|--|
| Thickness | | |
| Bracket ($\pm 0.1\text{mm}$) | 2 | |
| Hinge ($\pm 0.1\text{mm}$) | 1.5 | |
| Height (in) | 5.25 | |
| Width (in) | 19 | |
| Depth (in) | 5.67 | |
| Weight (lb) | 2.5 | |
| Color | Black | |

DESCRIPTION

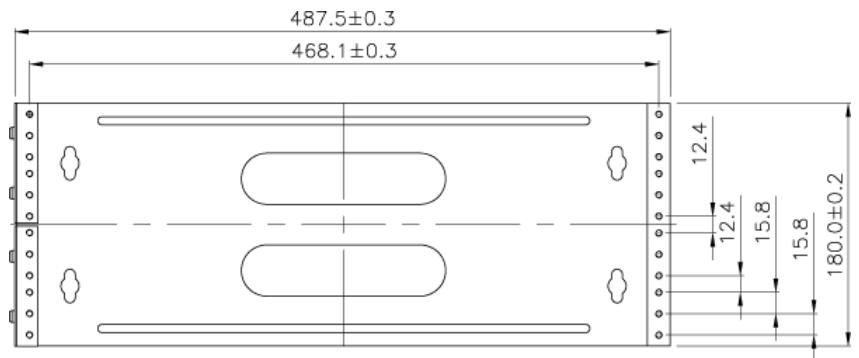
4U Hinged Wall Mount Bracket, 19", Black

FEATURES

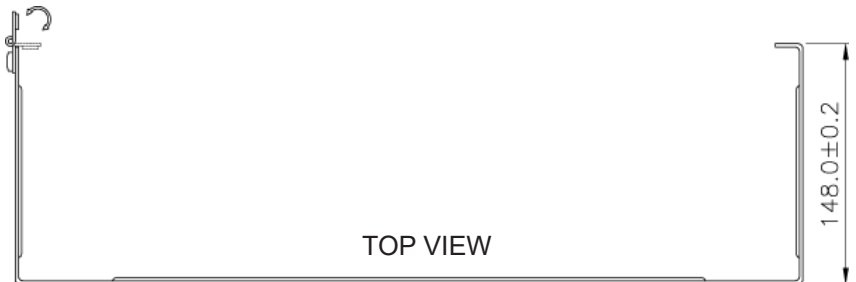
- Fits a 96 port 4U standard 19" patch panel
- Bracket made of 2mm thick steel, painted black
- Hinge made of 1.5mm thick steel, painted black
- Comes with 16 M5 screws (5mm x 15mm)



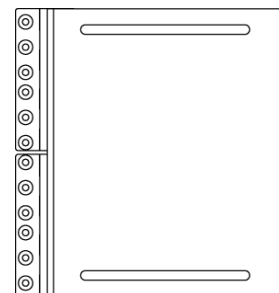
FRONT VIEW



TOP VIEW



SIDE VIEW



VERTICAL CABLE

951.696.7772 California
800.749.2447 Florida
845.391.8318 New York

www.verticalcable.com

Rev. 01/2015

Specs subject to change without notice.

It is the sole responsibility of the user to have the most current specs.