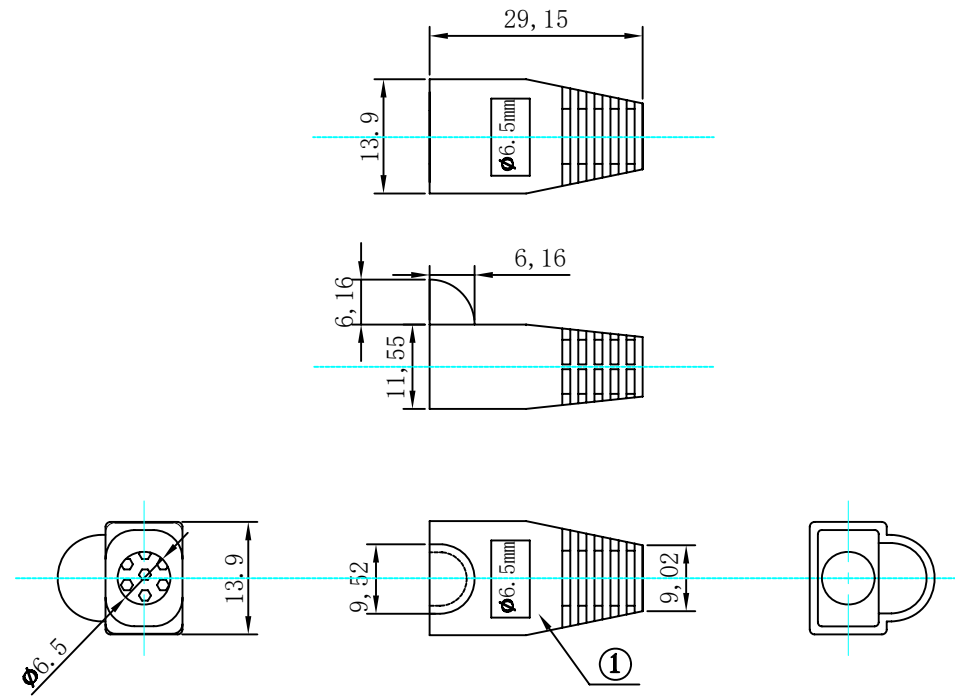
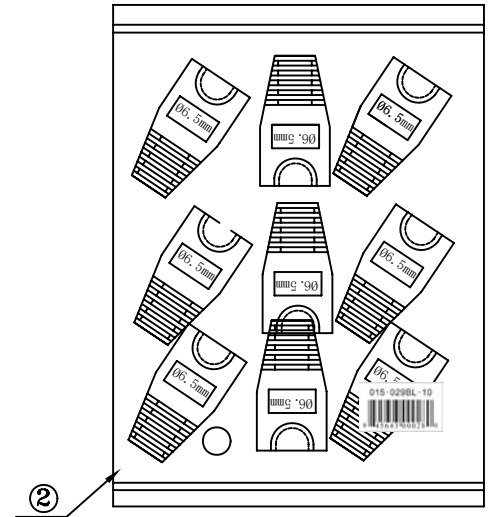


REVISION	DATE	REV.
NEW	2016/02/01	A/0



MOLDING NO: SR006-02



10PCS/PE BAG/STICK



⑥	INNER CARTON	28.5*19*26.5cm							
⑤	EXPORT CARTON	40*30*28cm		1/5000					
④	LABEL	35mm*15mm	ITEM:015-SERIES 6.5MM	1/5000	DRAWING	TE0231	PART NAME		
③	BIG PE BAG	400*250*0.04mm		1/100				ICON	TOLERANCE
②	PE BAG	120*70*0.06mm		1/100	ITEM	015-SERIES			X. ±1.00 X.X ±0.50
①	SHEATH	BLUE (BL04) φ6.5mm NO: SR006 REACH COMPLIANT		1	APPRO BY	CHECK BY	DRAWN BY	SCALE	MM
NO.	PARTS. NAME	SPECIFICATION STANDARD		QT' Y	REMARK		East LI	PAGE	1/1