



# BLANK PATCH PANEL

## Shielded w/Ground & Ground Cable w/CABLE MANAGER, 48 PORT

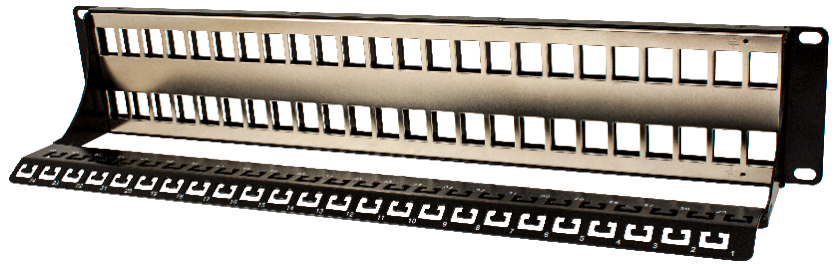
**SKU: 043-379/S/48/2U**

### DESCRIPTION

48 Port Blank Patch Panel with Cable Manager, Shielded, with Ground & Ground Cable 19in. Rack Mountable, 2U.

### FEATURES

- Constructed from heavy-duty 16-gauge steel
- UL94-V-0 high-impact, fire-retardant material
- Cable Manager attaches to patch panel
- Accepts either 10/24 or 12/32 screws
- Durable black powder coat finish
- Shielded with ground & Ground Cable



**VERTICAL CABLE**

951.696.7772 California

800.749.2447 Florida



845.391.8318 New York

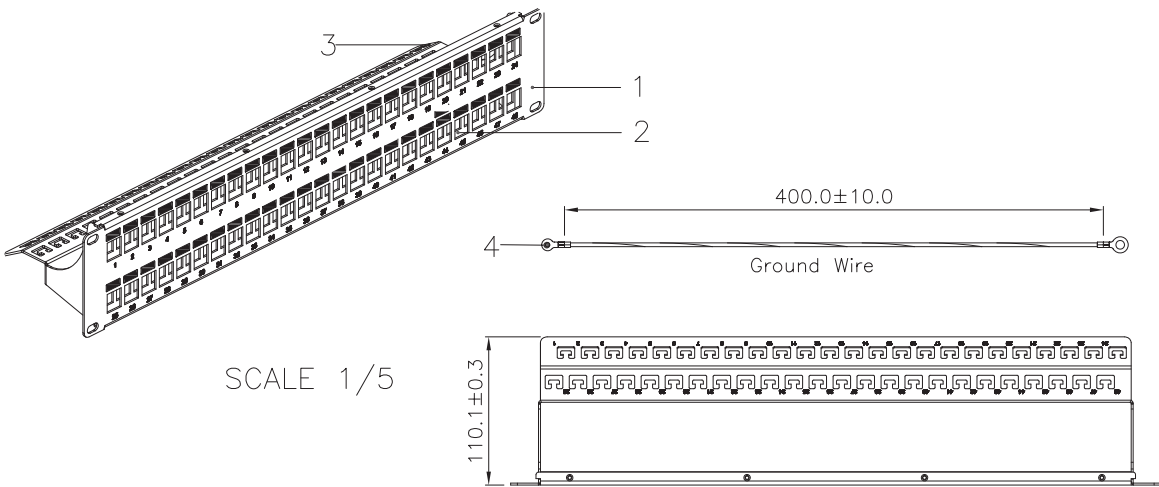
[www.verticalcable.com](http://www.verticalcable.com)

Rev. 12/2015

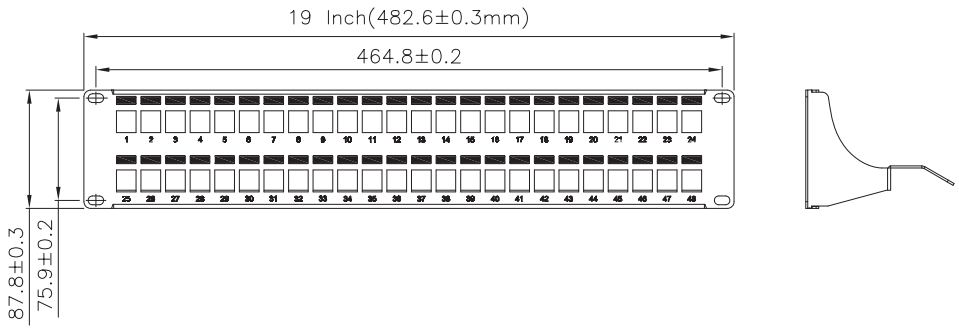
Subject to change without notice

GENERAL TOLERANCE OF DIMENSIONS  
 X.XXX ±0.005  
 X.XX ±0.05  
 X.X ±0.1

DRAWING	02.AUG.2010	QIQI	 VERTICAL CABLE		
CHECK	02.AUG.2010	JANE			
APPROVAL	02.AUG.2010	JAIMY			
DATE		ITEM NO. 043-379/S/48/2U			
SCALE	1/5 (A4)	UNIT	mm	DES.: 48 PORT FS KEYSTONE PANEL	
DRAWING NO.		DRAWING CLASSIFICATION			
		S	SHFFT	1 OF 1	



SCALE 1/5



**Specifications**

- Material :
1. Front Panel : SPCC, 1.5mm thickness with Black(RAL 9005) color painted.
  2. Rear Panel : SPCC, 1.5mm thickness with 5~8um Nickel plated.
  3. Support Bar : SPCC, 1.5mm thickness with Black(RAL 9005) color painted.
  4. Ground Wire : 18 AWG Wire, with Yellow/Green striped color, length 40 cm.