

# 19" 1U HORIZONTAL CABLE MANAGER DOUBLE SIDED, WITH COVERS



**SKU: 044-2392/DS/2U**

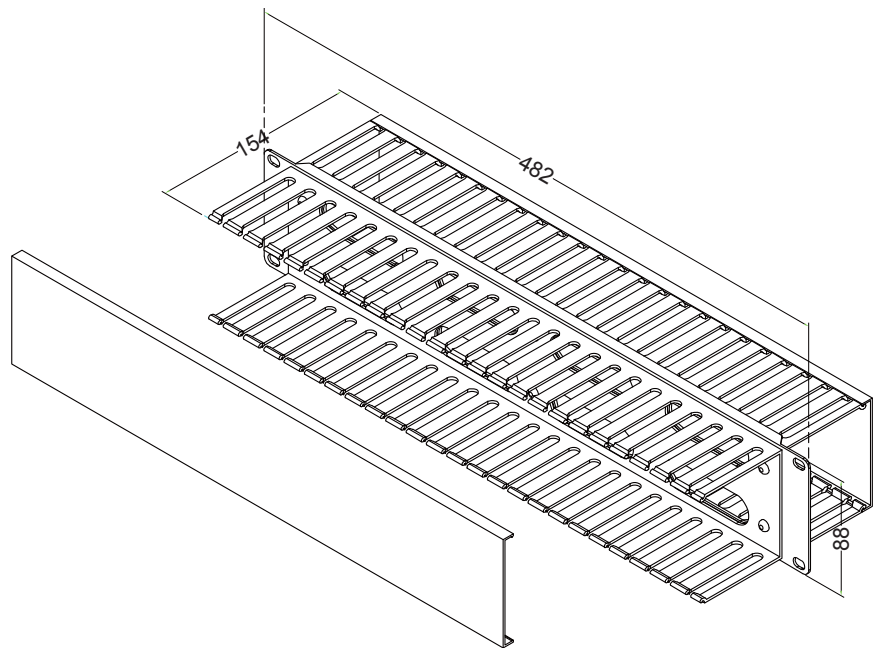
Height (in)	3
Width (in)	19
Depth (in)	6
Weight (lb)	3.0
Color	Black

## DESCRIPTION

19" 2U Horizontal Wire Manager, Double Sided, Plastic Fingers, Steel Mount, Black

## FEATURES

- Fits standard 19" Racks or Wall Mounts
- 2U high, spans 3 standard rack holes (3.50")
- Steel Main Mount
- Plastic Wire Management Fingers
- Plastic Covers
- Comes with 4 M6 screws (cage nuts not included)



\*\* diagram measurements are in mm

**VERTICAL CABLE**

951.696.7772 California  
800.749.2447 Florida  
845.391.8318 New York

[www.verticalcable.com](http://www.verticalcable.com)

Rev. 10/2015

Specs subject to change without notice.

It is the sole responsibility of the user to have the most current specs.