

8U OPEN WALL MOUNT



SKU: 047-WFJ-0853

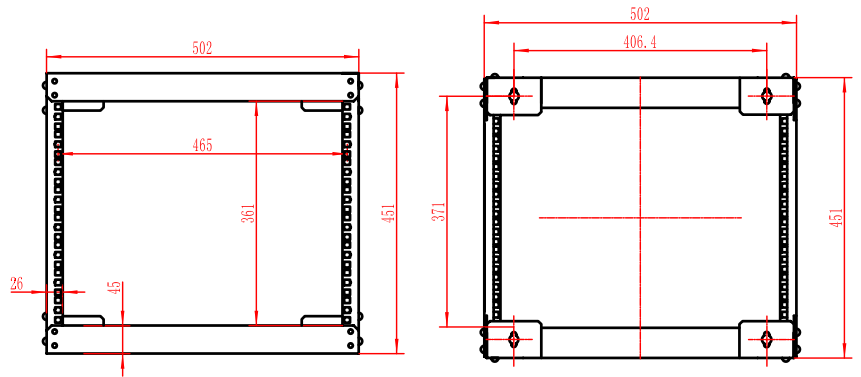
| Height | Width | Depth | Color | Weight | Capacity |
|--------|-------|-------|-------|---------|----------|
| 17.75" | 20" | 18" | Black | 15.6 LB | 132 LB |

DESCRIPTION

8U Open Wall Mount

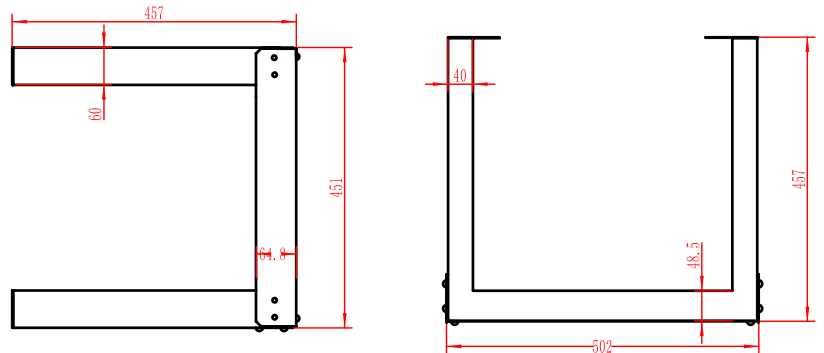
FEATURES

- Steel frame open wall mount with M6 screws and cage nuts.
- Comes unassembled
- Easy assembly



FROM FRONT

FROM REAR



FROM SIDE

FROM TOP

VERTICAL CABLE

951.696.7772 California
800.749.2447 Florida
845.391.8318 New York

www.verticalcable.com

Rev. 04/2017

Specs subject to change without notice.

It is the sole responsibility of the user to have the most current specs.