

9U OPEN WALL MOUNT



SKU: 047-WFJ-0953

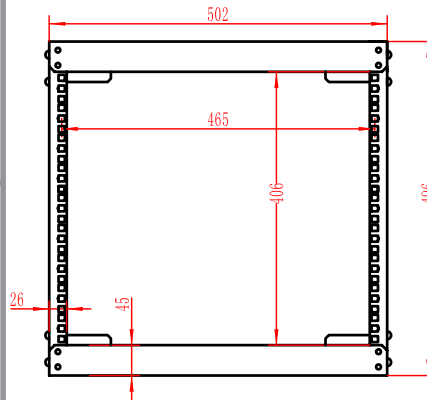
Height	Width	Depth	Color	Weight	Capacity
19.50"	20"	18"	Black	15.7 LB	132 LB

DESCRIPTION

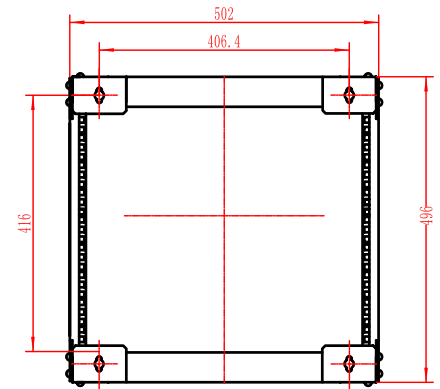
9U Open Wall Mount

FEATURES

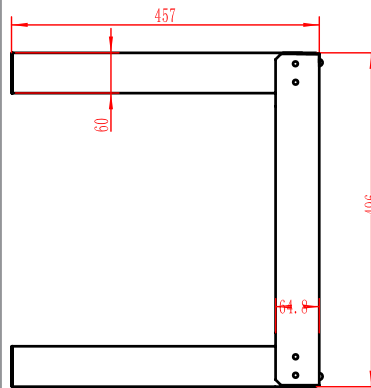
- Steel frame open wall mount with M6 screws and cage nuts.
- Comes unassembled
- Easy assembly



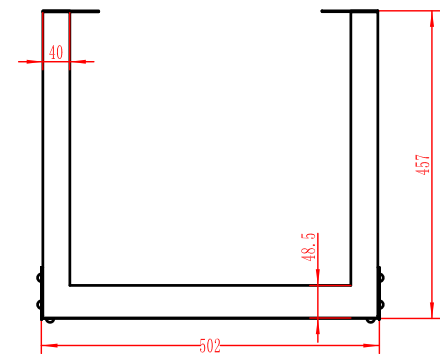
FROM FRONT



FROM REAR



FROM SIDE



FROM TOP

VERTICAL CABLE

951.696.7772 California
800.749.2447 Florida
845.391.8318 New York

www.verticalcable.com

Rev. 04/2017

Specs subject to change without notice.

It is the sole responsibility of the user to have the most current specs.