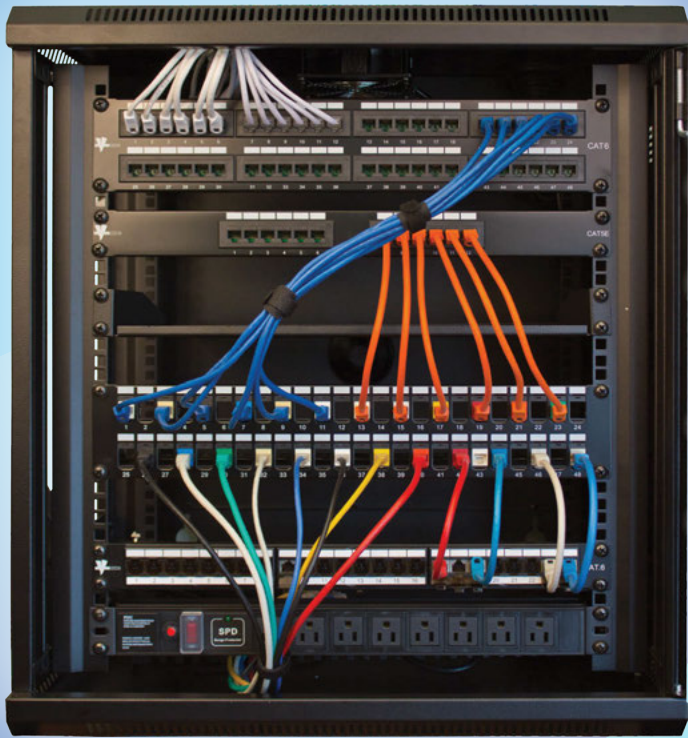
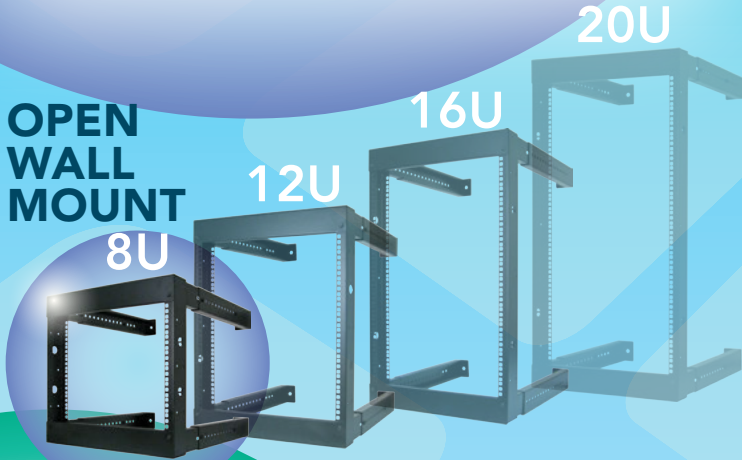


RACKS, WALL MOUNTS, ACCESSORIES



- HEAVY-DUTY STEEL
- ACCOMODATE ANY STANDARD 19" ACCESSORY
- MADE FOR ALL STANDARD 19" PATCH PANELS, COVERS, SHELVES, POWER SUPPLIES
- RACKS ARE NUMBER LABELED FOR EASY IDENTIFICATION
- TOUGH BLACK PAINTED FINISH

WALL MOUNT ENCLOSURES



OPEN WALL MOUNT

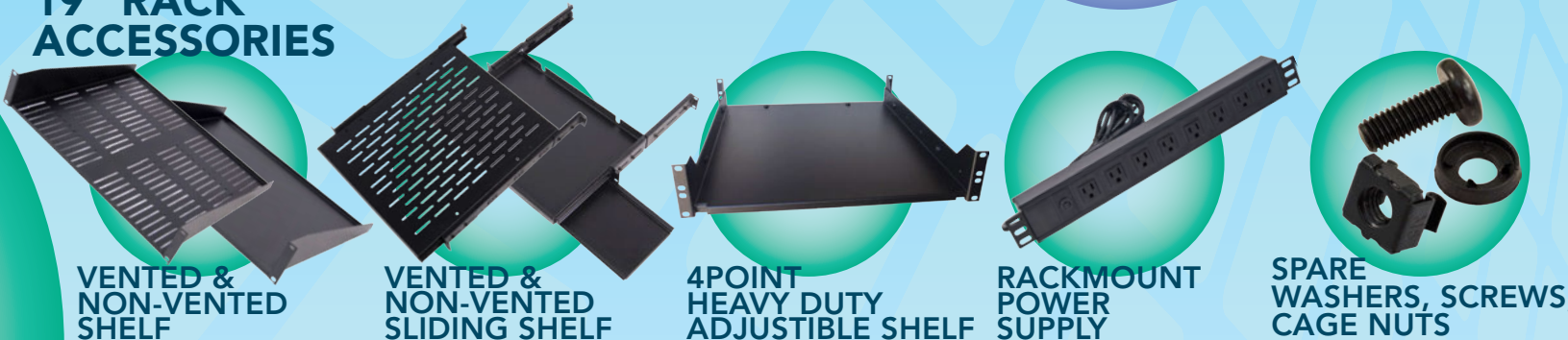
OPEN WALL MOUNT SWING-OUT



RELAY RACKS



19" RACK ACCESSORIES



www.verticalcable.com

make the right connection.

CALIFORNIA 951.696.7772
 FLORIDA 800.749.2447
 NEW YORK 845.391.8318